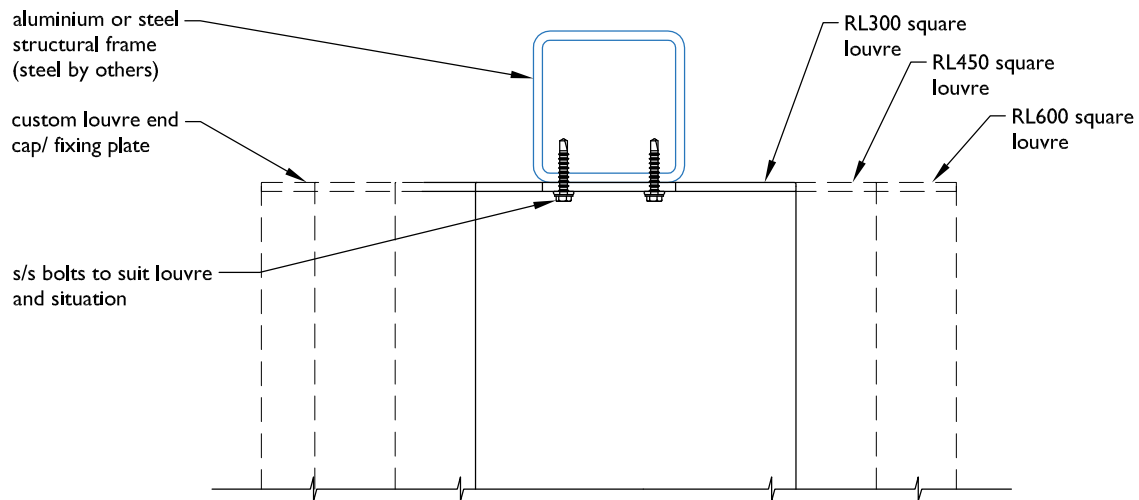


TYPICAL DETAIL : END FIXED RL 300/450/600 SQUARE LOUVRES

PLAN - END FIXED RL 300/450/600 SQUARE LOUVRE



SECTION - END FIXED RL 300/450/600 SQUARE LOUVRE

