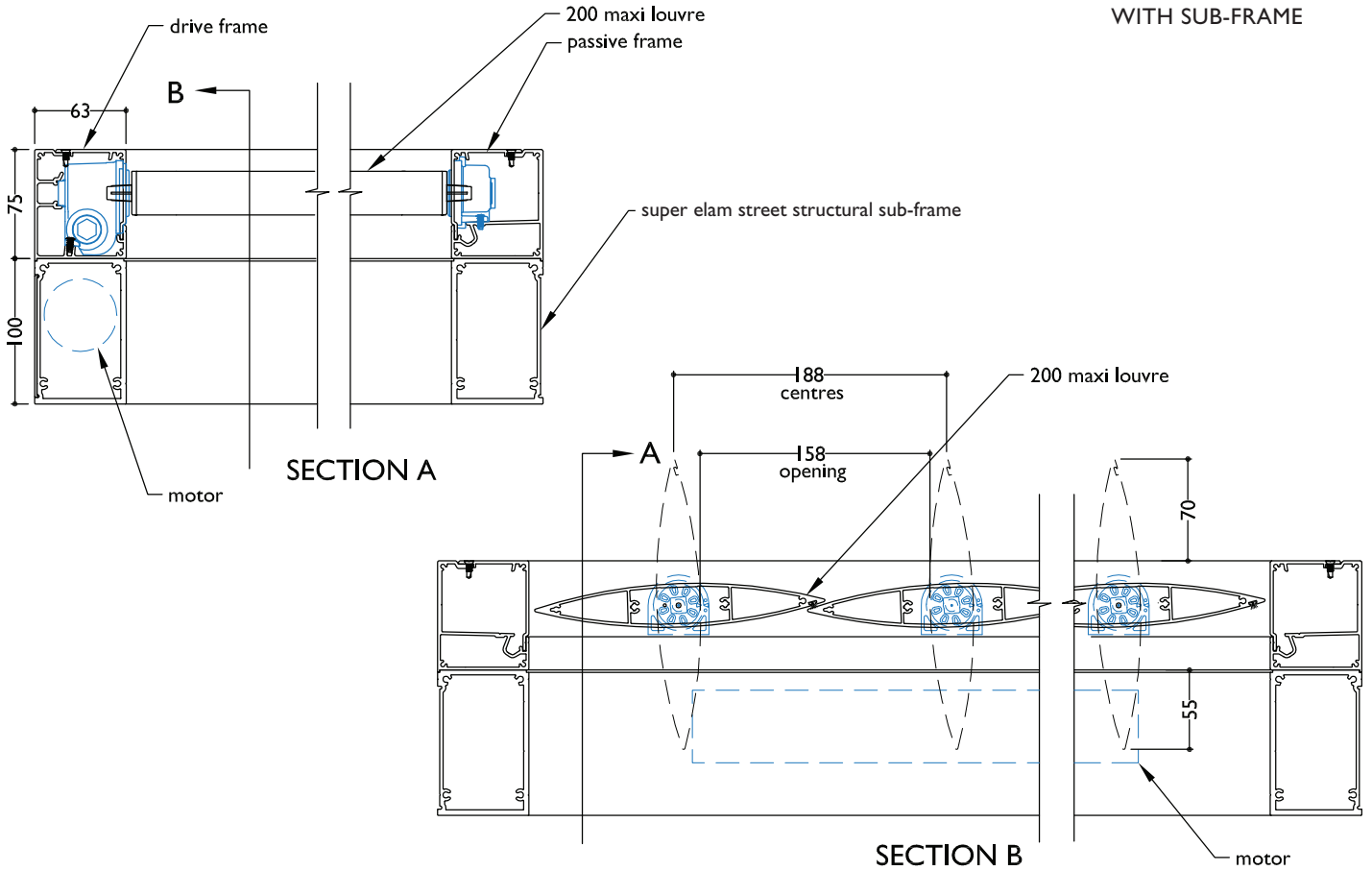


TYPICAL DETAIL : MOTORISED 200MM MAXI LOUVRE SPIRAL PIVOT

SECTION - MOTORISED 200MM MAXI LOUVRE SPIRAL PIVOT ON SUPER ELAM STREET STRUCTURAL FRAME WITH SUB-FRAME



SECTION - MOTORISED 200MM MAXI LOUVRE SPIRAL PIVOT WITH TOP MOUNTED MOTOR

