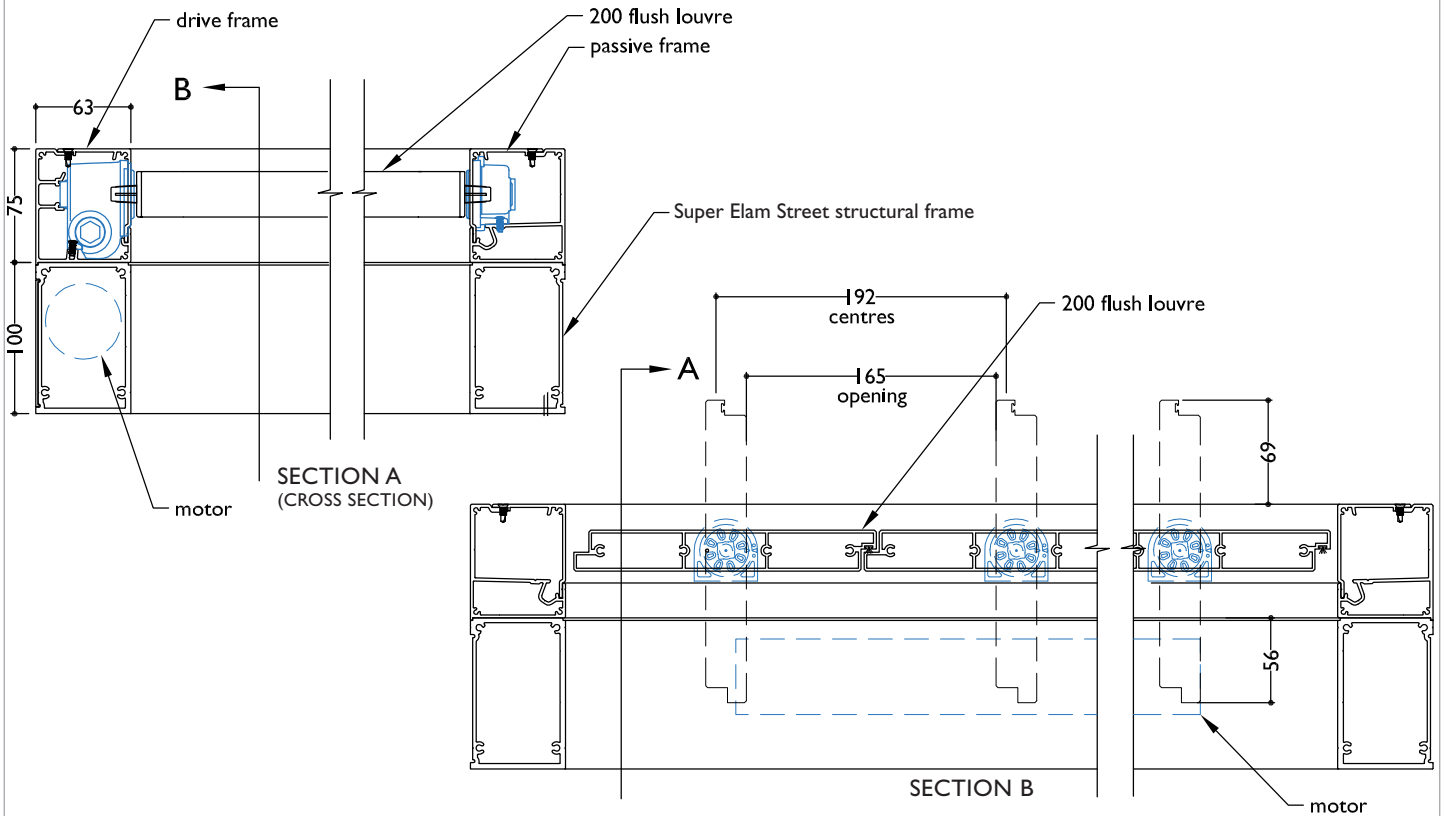


**TYPICAL DETAIL : 200MM FLUSH PANEL - CENTRE PIVOT**

**SECTION - CENTRE PIVOT MOTORISED 200 FLUSH LOUVRE SPIRAL PIVOT ON SUPER ELAM STREET STRUCTURAL FRAME WITH SUB FRAME**



**SECTION - CENTRE PIVOT MANUALLY OPERABLE 200 FLUSH LOUVRE SPIRAL PIVOT**

