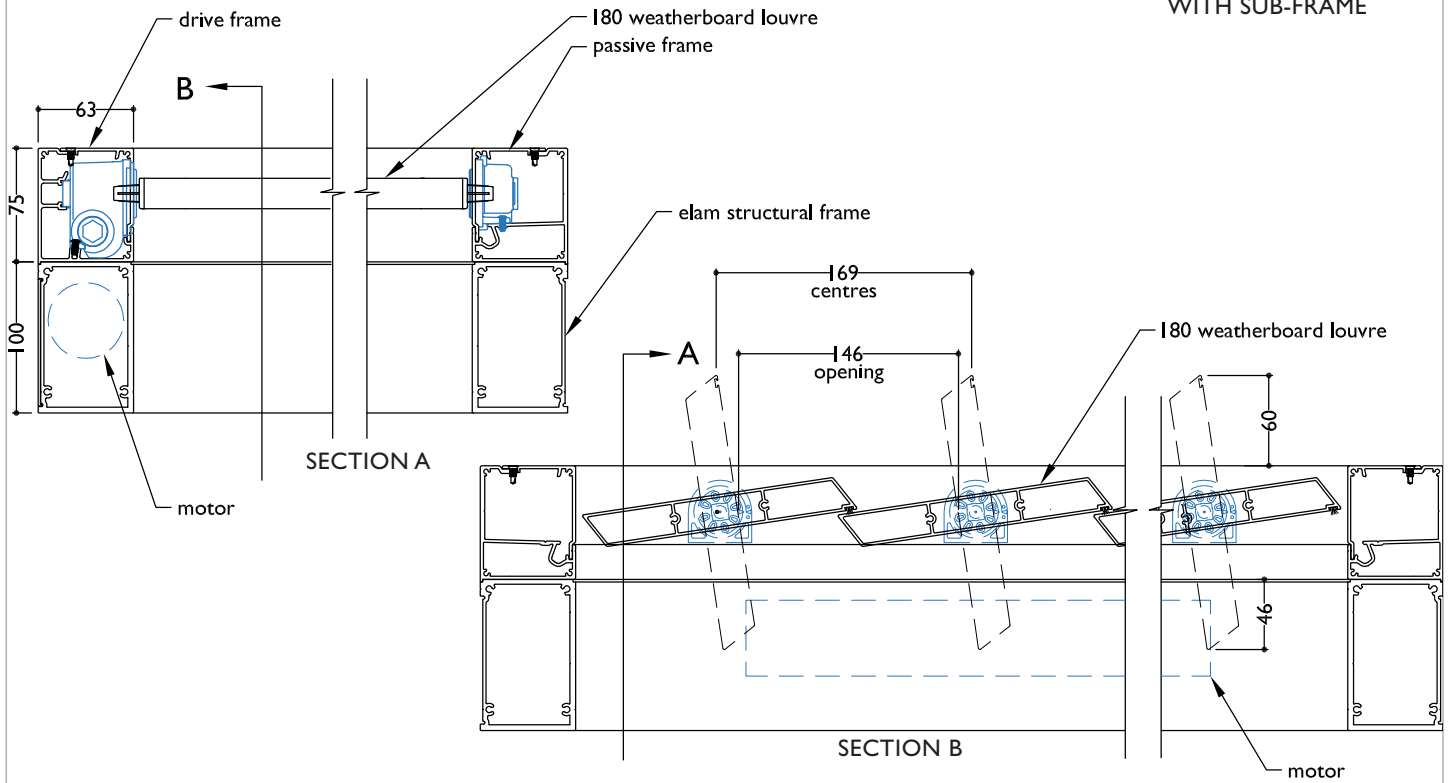


**TYPICAL DETAIL : 180 WEATHERBOARD LOUVRE - MOTORISED AND HAND OPERABLE**

**SECTION - MOTORISED 180 WEATHERBOARD LOUVRE SPIRAL PIVOT ON ELAM STRUCTURAL FRAME WITH SUB-FRAME**



**SECTION - MANUALLY OPERABLE 180 WEATHERBOARD LOUVRE SPIRAL PIVOT**

