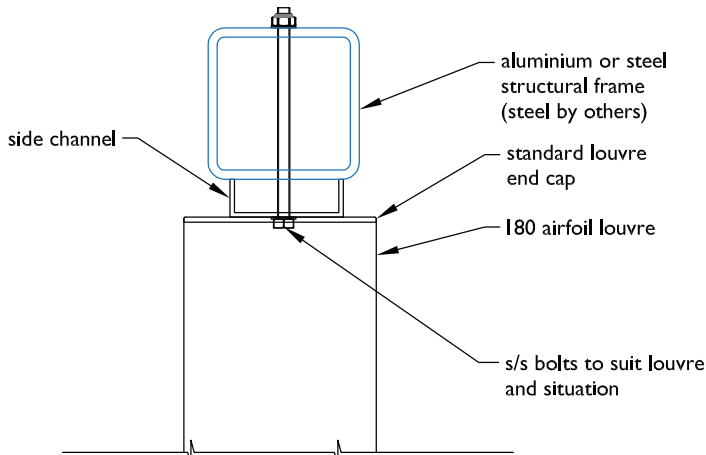
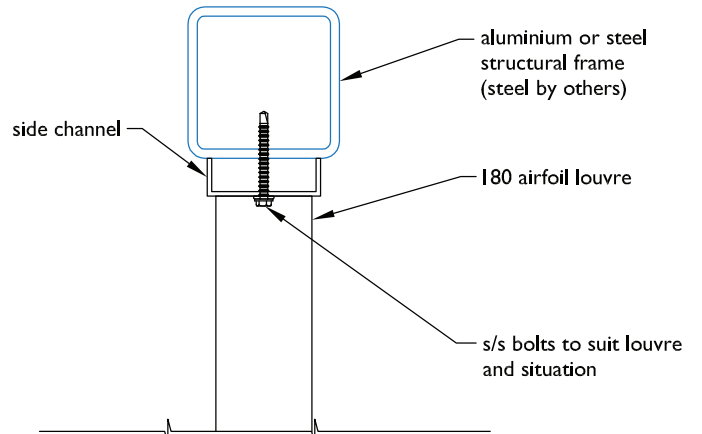


TYPICAL DETAIL : 180MM END FIXED AIRFOIL LOUVRE PANELS

PLAN - END FIXED 180MM AIRFOIL LOUVRE

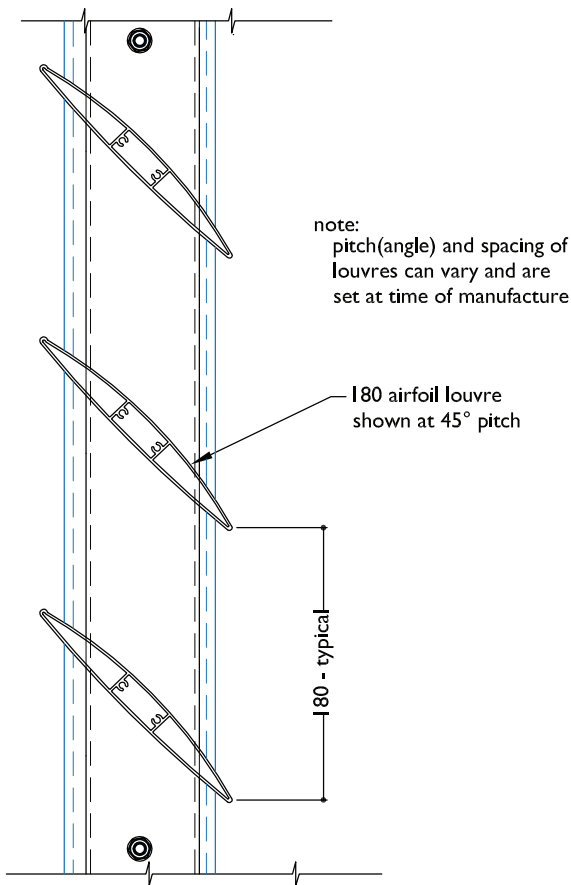


Louvres outside side channel
end caps required

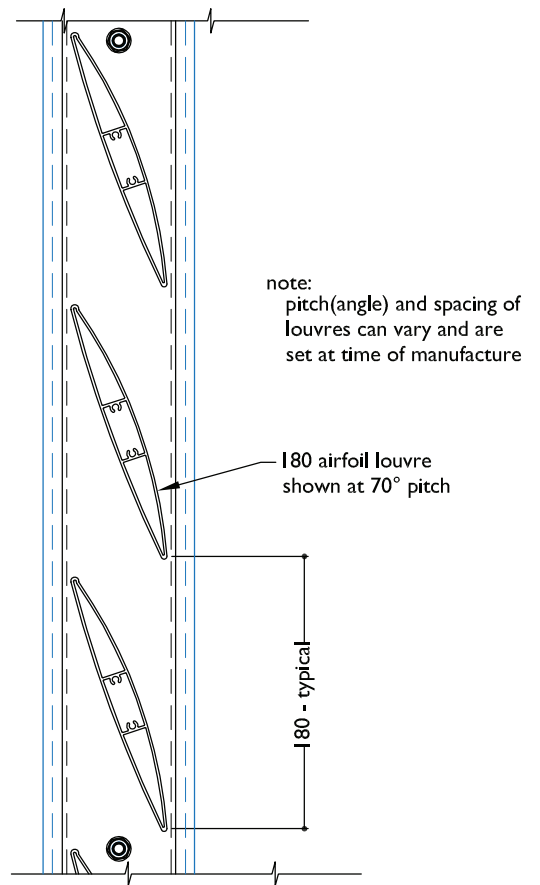


Within side channel
no end caps required

SECTION - END FIXED 180MM AIRFOIL LOUVRE



Louvres outside side channel
end caps required



Within side channel
no end caps required