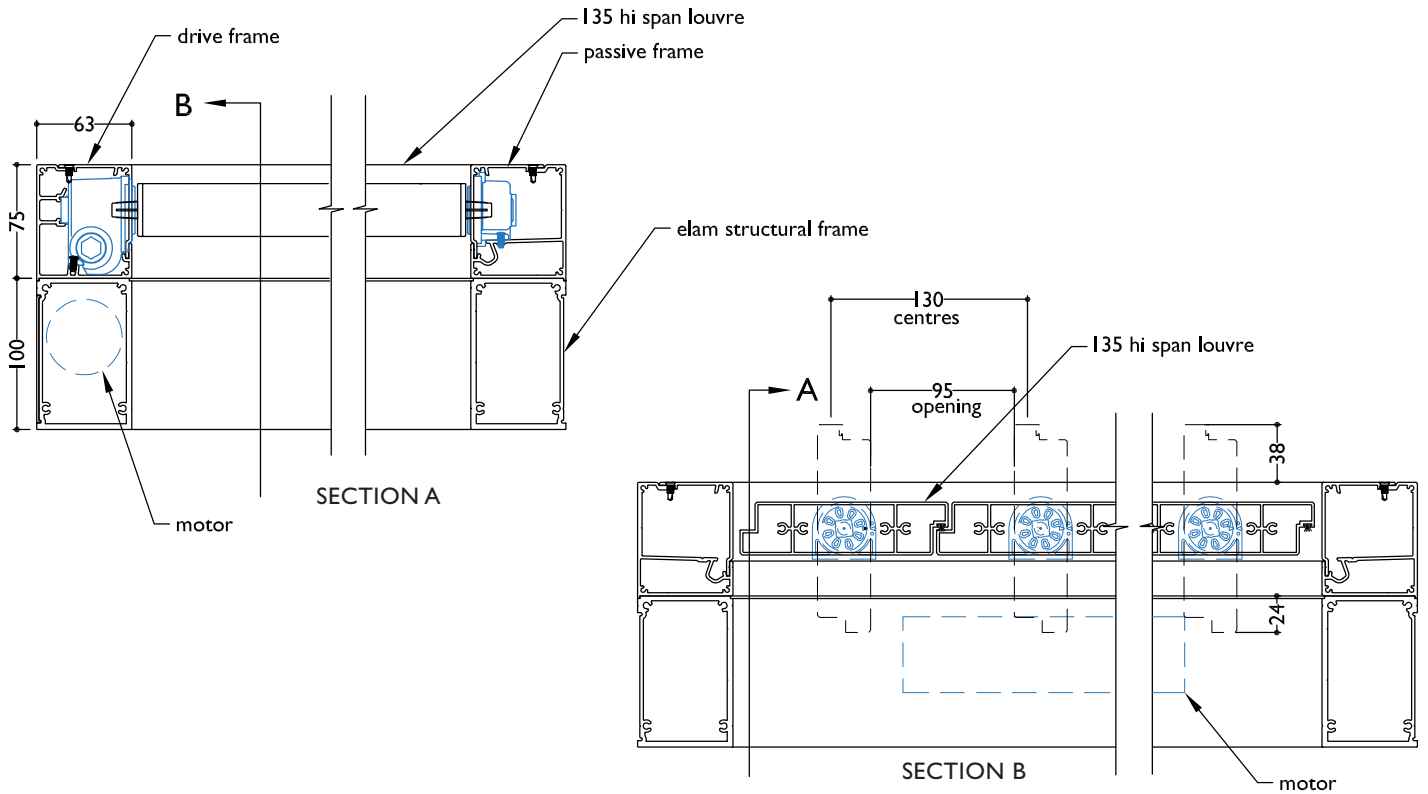


TYPICAL DETAIL : 135MM HI-SPAN BALUSTRADE LOUVRE

SECTION - MOTORISED 135 HI-SPAN LOUVRE SPIRAL PIVOT ON SUPER ELAM STREET STRUCTURAL FRAME WITH SUB-FRAME



SECTION - MANUALLY OPERABLE 135 HI-SPAN LOUVRE SPIRAL PIVOT

