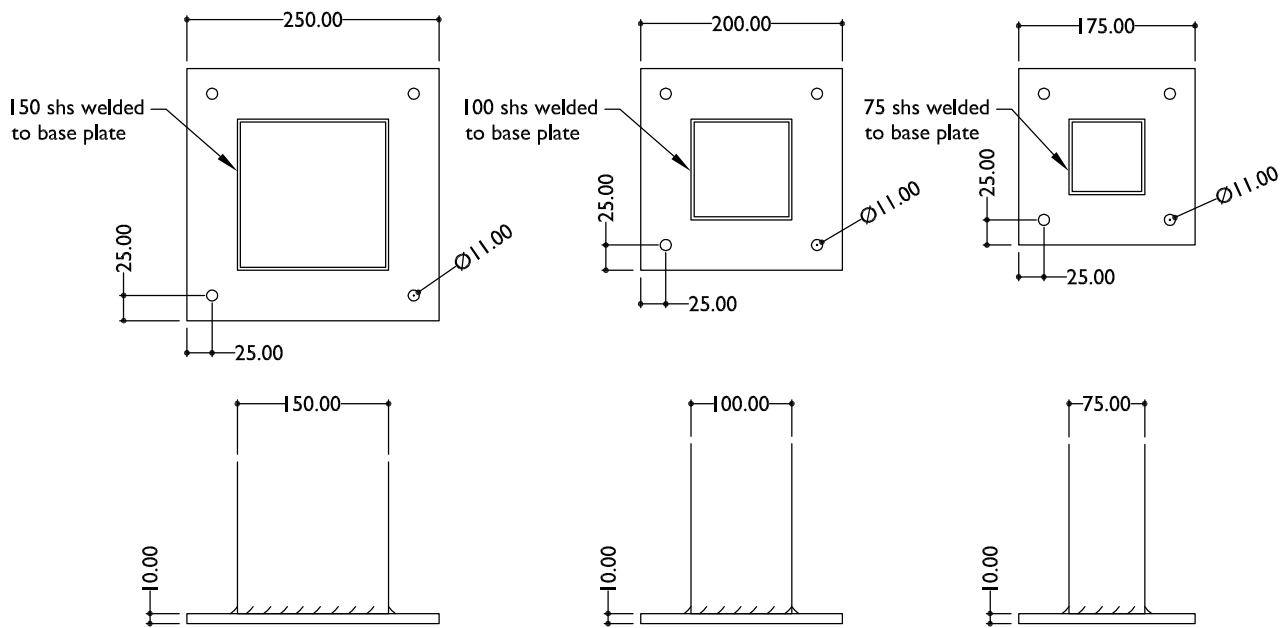


# OPENING ROOFS - THE STRUCTURAL FRAME - POST FIXING DETAILS

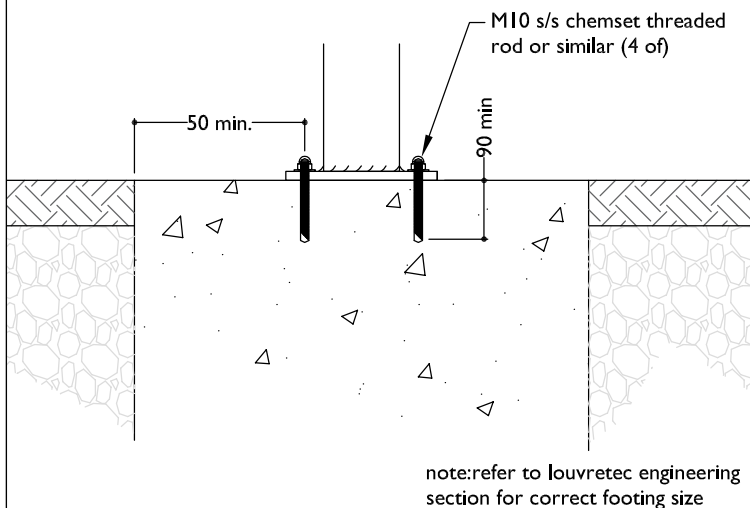
scale 1:7.5



## ALUMINIUM POST BASE PLATE - DIMENSIONS

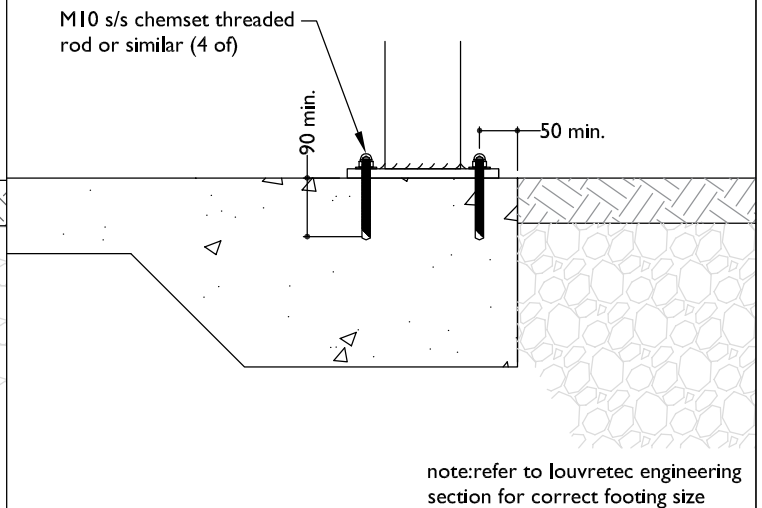
note:  
refer to louvretec engineering  
section for correct post size

scale 1:10



SECTION - POST TO CONCRETE FOOTING

scale 1:10



SECTION - POST TO CONCRETE PAD



File	2.51
Scale	as shown@A4
Date Modified	01/01/2017

Product Manual 2017 Louvretec® NZ Ltd/Louvretec® Aust. Pty  
©2017 All rights reserved  
Technical Details subject to change without notice

PO Box 300 328 Albany  
Auckland, New Zealand  
P +64 (9) 415 4949  
F +64 (9) 415 4990  
E info@louvretec.co.nz  
W www.louvretec.co.nz