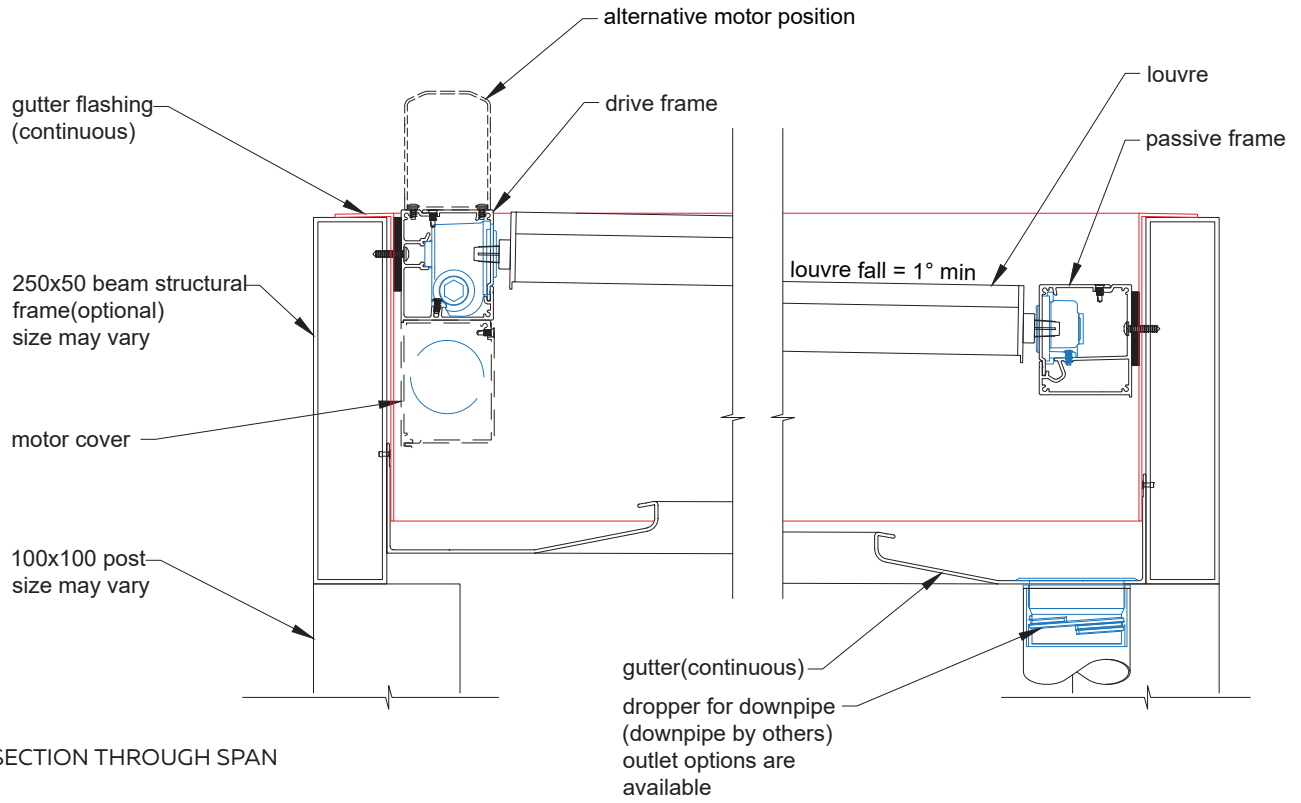
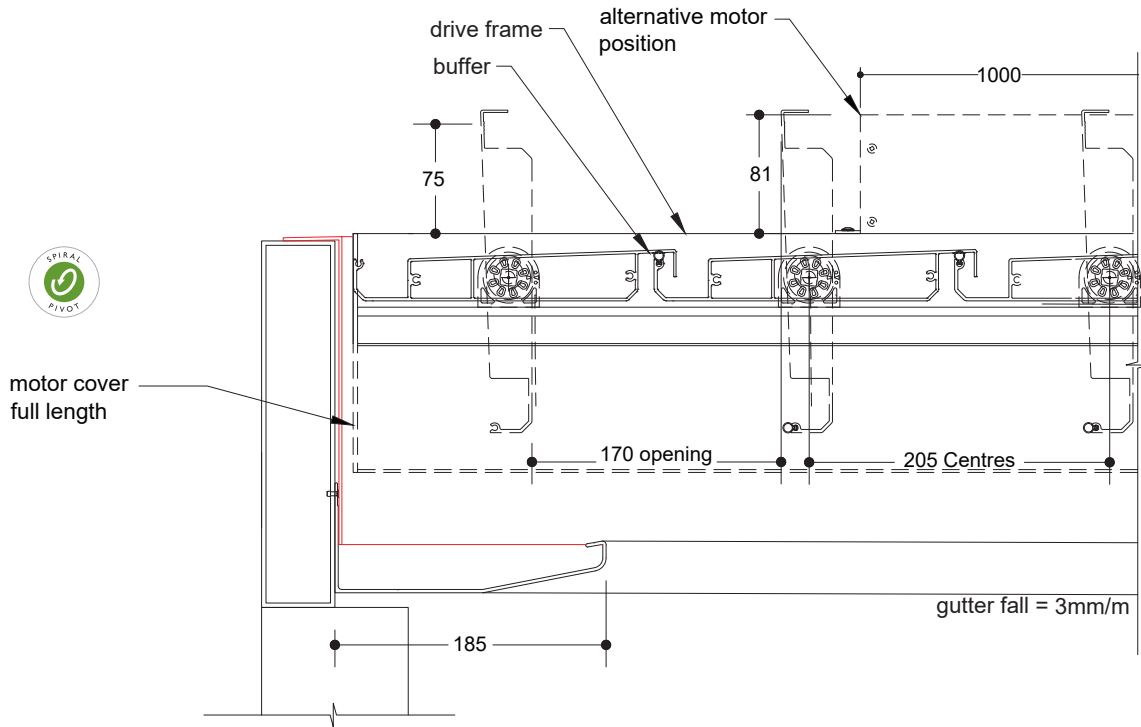


TYPICAL DETAIL: MOTORISED 220/35 SLIMLINE PIVOT ROOF WITHIN LOUVRETEC STRUCTURAL FRAME



SECTION THROUGH SPAN



SECTION THROUGH LOUVRES